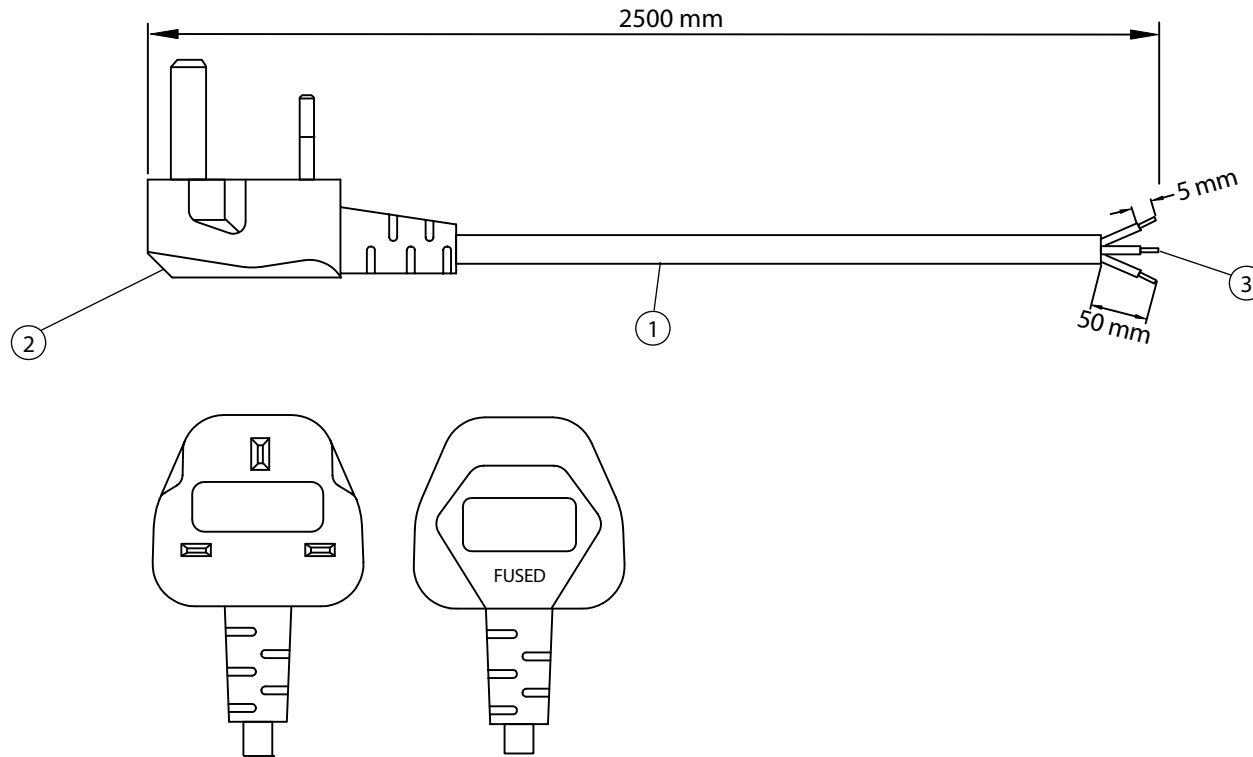


THESE DRAWINGS ARE THE PROPERTY OF QUALTEK ELECTRONICS AND NOT TO BE REPRODUCED FOR OR COMMUNICATED TO A THIRD PARTY WITHOUT THE EXPRESS WRITTEN PERMISSION OF AN OFFICER OF QUALTEK ELECTRONICS.

REVISION			
REV.	DESCRIPTION	DATE	APPROVED
B	RoHS Compliancy	06-01-06	DP
C	Notes Update	05-15-08	DP



NOTES:

1. CORDAGE: HO5VV-F, 3x0.75mm, UNSHIELDED
CEE COLOR CODE, TEMP. RATING 70°C,
RATING: 250V 6A, JACKET COLOR: BLACK
2. PLUG END: UNITED KINGDOM BS1363A WITH 13A FUSE
3. OTHER END: ROJ 50mm, STRIP 5mm
4. APPROVALS: UNITED KINGDOM, BSI
5. ROHS COMPLIANT

CONTROLLED

Dim range (mm)		Tolerance +/- (mm)		Qualtek Electronics Corp. PPC DIVISION		
				Part Number: 369002-E01		RoHS Compliant
				Description: POWER CORD		
0-1	0.15			UNIT: mm		REV. C
1-6	0.20			Drawn / Date		Checked / Date
6-18	0.30			02-06-92		Approved / Date
18-50	0.50			02-06-92		JH / 02-06-92
50-120	0.70					
120-250	0.90					
250-500	1.20					